

### RETRACTABLE SCREEN WITH **36MM** SCREEN CASSETTE INSTALLATION INSTRUCTIONS (MAGNETIC LATCH DESIGN)

#### TOOLS:

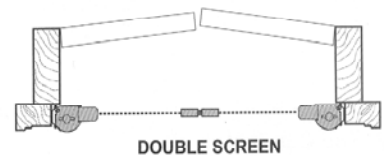
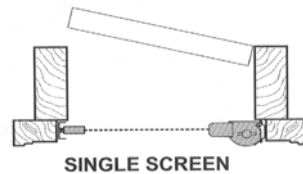
Measuring Tape  
Phillips Screwdriver  
Soft Mallet  
Drill with Assorted Bits  
Utility Knife  
Needle Nose Pliers  
Pencil  
Power Miter/Chop Saw  
(Hacksaw Will Also Suffice)

#### CAUTION!

This is not a safety screen and this product will not stop a child from falling. Use eye protection when cutting and installing your screen.

## 1 Installation Methods

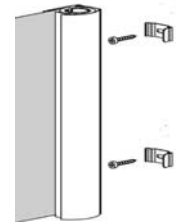
**Single Screen Installation:** Install the Screen Cassette on either the right or left side.



**Double Screen Installation:** Install both a right and a left Screen Cassette with one configured as the active screen and the other as the passive screen.

## 2 Mounting Styles

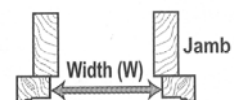
**Inside Mounting the Screen:** A common installation method involves mounting the Screen Cassette using Recess Mounting Clips inset within the doorjamb area.



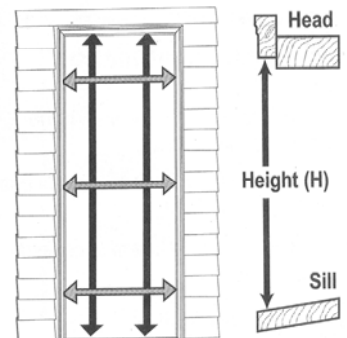
**Outside Mounting the Screen:** Flush mounting the screen using Surface Mount Clips (see Section B – “Surface Mounting Instructions”).

## 3 Measuring For Your Screen

Begin by identifying the area where the screen will be mounted. Measure the opening width and height in several places – see illustration. Record the **SMALLEST** width and height measurement.



Subtract the appropriate dimension as indicated in the adjusted measurement column below. Use the adjusted measurement dimensions to cut the parts.



#### SINGLE DOORS:

COMPONENT	OPENING SIZE - DEDUCTION	= CUT SIZE
Cassette	Height then Subtract 11/16"	_____
Side Profile	Height (No Deduction)	_____
Top Guide Rail	Width then Subtract 1-3/4"	_____
Bottom Guide Rail	Width then Subtract 1-3/4"	_____

#### DOUBLE DOORS:

COMPONENT	OPENING SIZE - DEDUCTION	= CUT SIZE
Cassette	Height then Subtract 11/16"	_____
Top Guide Rail	Width then Subtract 3-3/8"	_____
Bottom Guide Rail	Width then Subtract 3-3/8"	_____

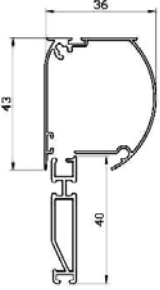
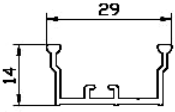
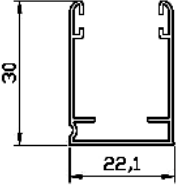
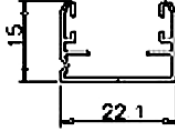
Note: Single screens and double screens require different cutting deductions.

## SINGLE SCREEN

ITEM	DESCRIPTION	
1	Screen Cassette	
2	End Cap	
3	Bushing	
4	End Cap Plug	
5	Bottom Rail (15mm)	
6	Spring Assembly	
7	End Cap for Pull Bar	
8	Top Rail (30mm)	
9	Handles	
10	Recess Mount Clip	
11	Pull Bar	
12	Magnetic Strip (+ or -)	
13	Side Rail with Magnets	
14	Surface Mount Clip	

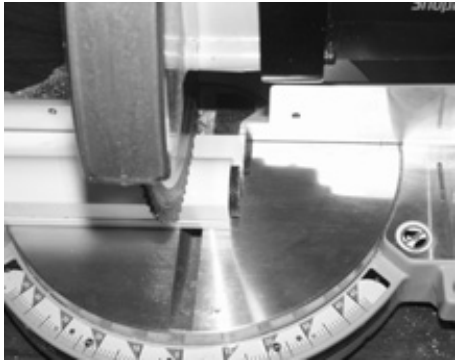
## DOUBLE SCREEN

ITEM	DESCRIPTION	
1	Screen Cassette	
2	End Cap	
3	Bushing	
4	End Cap Plug	
5	Bottom Rail (15mm)	
6	Spring Assembly	
7	End Cap for Pull Bar	
8	Top Rail (30mm)	
9	Handles	
10	Recess Mount Clip	
11	Pull Bar	
12	Magnetic Strip (+ or -)	
13	Lock Bolt Retainer	
14	Surface Mount Clip	
15	Slide Lock Bolt	

MAJOR PARTS:				
				Bag Containing Spring, Handles, End Caps and Other Parts
<b>Cassette</b>	<b>Side Rail with Magnet</b>	<b>Top Rail</b>	<b>Bottom Rail</b>	<b>Accessory Kit</b>

#### 4 Cut The Cassette

It is recommended that you keep the wrap on the Cassette until the completion of cutting. Begin by examining the Cassette to assure that the outer housing, Pull Bar, screen and tube are evenly cut and flush. If necessary make a clean cut on one end of the Cassette so that the Cassette is even before proceeding. Now measure from the clean cut end for your cut height dimension; the net height opening less the **11/16" deduction** (determined in step 3.)



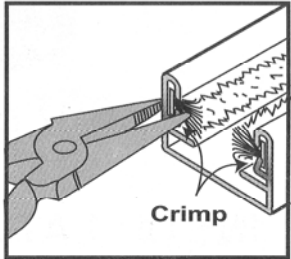
Firmly hold the Cassette and Pull Bar together and cut the Cassette (including the screen) to your adjusted measurement. Cut the Cassette as shown in order that the saw blade rotates in a direction that will tighten the screen mesh in the Cassette rather than potentially unwinding the screen fabric. After making the cut, grasp the unit, hold upright to tap away the metal shavings.

#### 5 Cut The Top and Bottom Rails

Cut the rails to your adjusted measurements (determined in step 3.) Note the different deductions for single and double screens.

<b>Single Screen</b> Cut Length = (W) <b>Less 1-3/4"</b>
<b>Double Screen</b> Cut Length = (W) <b>Less 3-3/8"</b>

Crimp the pile in the channels at both ends of the rail to lock the pile in position. Any small crimp marks will be concealed by the other parts once the screen is fully assembled.



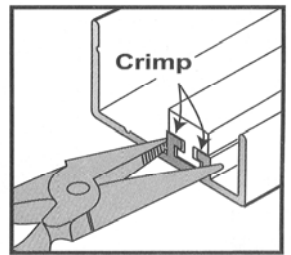
#### 6 Cut The Side Rail

The Side Rail with Magnet is used on single screens. On double screen applications, a second Cassette is used instead of the Side Rail with Magnet.

The Side Rail comes with two Magnetic Strips. The first Magnet is secured to the Side Rail. Remove the outer Magnet strip and save this for step 13.

Cut the Side Rail to your height measurement (determined in step 3.)

Crimp the channel at both ends to lock the Magnet in place.



## 7 Installing The Spring

Open the accessory kit and insert the Spring assembly into the Cassette.



**Slide the Bushing into the tube of the screen roll making sure that the tooth of the Bushing lines up with one of the slots in the Screen Tube.**



Support the other end of the Cassette and rotate the End Cap clockwise the appropriate number of turns for the height of your screen (see tension chart.)

CAUTION: - Do NOT let go of the End Cap unit until it is secured into the Cassette.

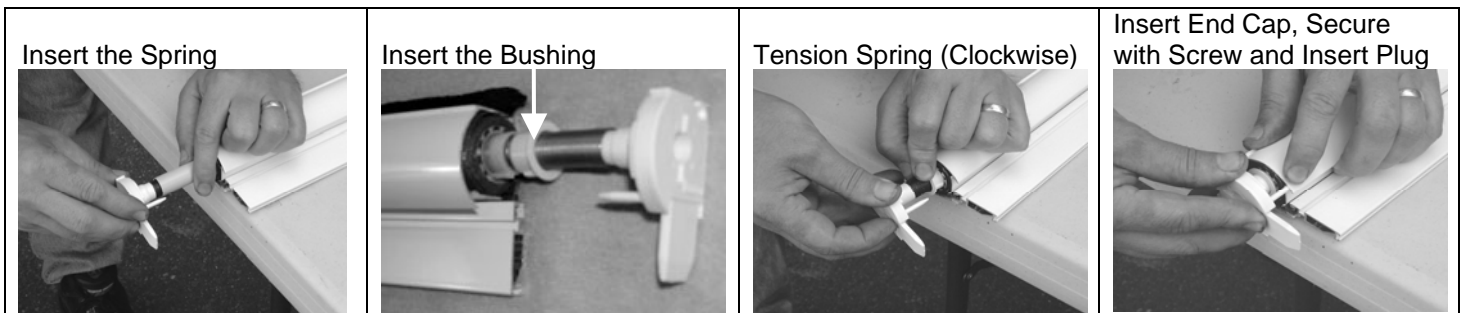
Slide the End Cap pin into the Cassette and install by tapping evenly with a soft mallet.

Secure the End Cap with screw. Insert End Cap Plug.

TENSION CHART

Screen Height	With Brake	NO Brake
80"- 86"	14-16 Turns	12-14 Turns
86"- 96"	16-20 Turns	14-16 Turns

- Note: **Be certain that the screen is wrapped tightly inside the Cassette before adding tension to the Spring.** You may make slight adjustments to the Spring tension according to your preference for the retraction speed and pull tension.



## 8 End Cap Installation

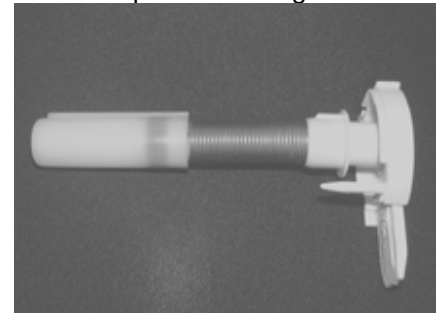
On the open end of the Cassette, insert the brake and then the Bushing into the tube of the screen roll. Make sure that the tooth of the Bushing lines up with one of the slots in the Screen Tube. If you are not using the optional brake, insert the Bushing as instructed above and proceed to attaching the End Cap.

Slide the End Cap pin into the Cassette and install by tapping evenly with a soft mallet.

Secure the End Cap with screw. Insert End Cap Plug.

- Note: It is critical that the Bushing (adjacent to the End Cap) is fully inside the screen roll tube before attaching End Cap.

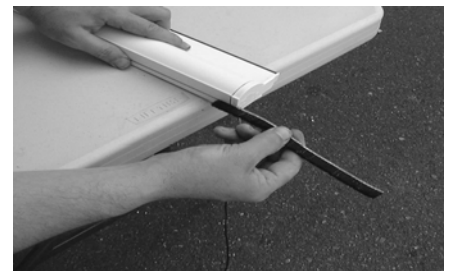
End Cap with Bushing and Brake



## 9 Weather Stripping Installation

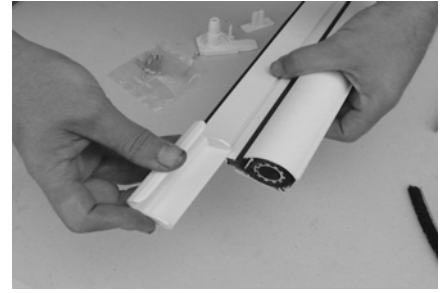
Slide the weather stripping into the channel located on the side of the Cassette.

Trim the weather strip to the same length of the Cassette.



## 10 Handle Installation

Slide the inside and outside Handles into the track of the Pull Bar. The Handles can be adjusted to the desired height at anytime during or after the installation.



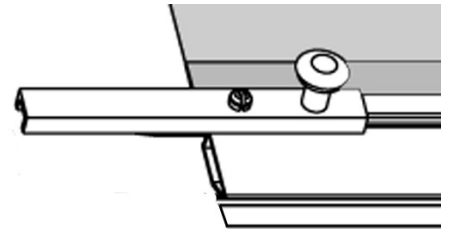
## 11 Slide Bolt Installation

Can be used on Single door also

**DOUBLE SCREENS ONLY**

Determine which side will be the passive screen. The passive screen is the side used less often. The Slide Bolts allow the screen to be locked open in place until needed.

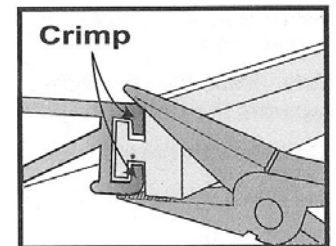
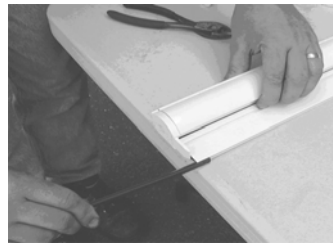
On the passive screen, slide the Slide Bolts into the track of the Pull Bar; one on both ends. Depending on preference, the Slide Bolts can rest on either the inside or outside of the screen.



## 12 Magnet Installation

Slide the Magnetic Strip (from step 7) into the groove on the front of the Pull Bar. For double doors the Magnets are packaged separately.

Trim the Magnet to the same length as the Pull Bar and crimp into place.



## 13 Pull Bar End Cap Installation

Insert the Pull Bar End Caps into the ends of the Pull Bar. Tap in place using a soft mallet.



## 14 Cassette Installation

**NOTE: It is critical that the Cassette and rails be installed square and plumb in the opening.**

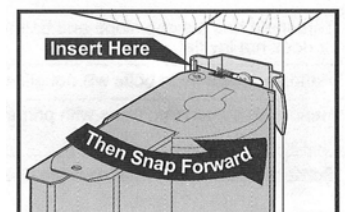
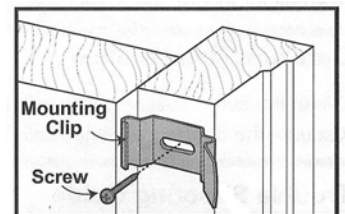
**Single Screens:** You may install the Cassette on either the right or left side depending upon preference.

**Double Screens:** You will install two Cassettes, one on either side of the entry.

Position the Recess Mounting Clips 18" from the top and bottom of the entry, drill a 1/8" hole in the center of the slots in the Recess Mounting Clip and secure with screw.

Lock the Cassette onto the mounting clips by inserting the backside first and then rotating the Cassette toward the front.

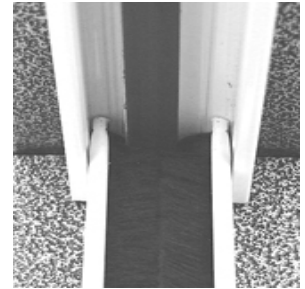
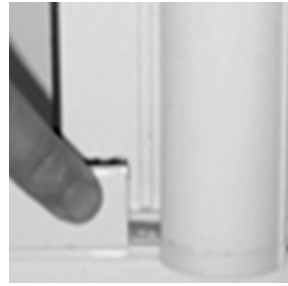
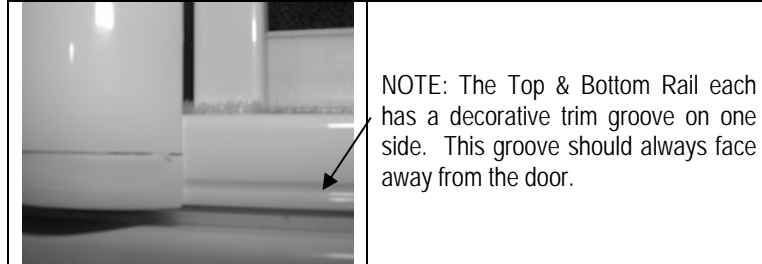
**Note: For double screens, mount only one Cassette at this time; move to step 15.**



## 15 Rail Installation

**Single Screens:** Slide the Bottom Rail fully onto the tab on the Cassette End Cap. Repeat this step for the Top Rail (the taller of the rails.)

Position the opposite edges of the bottom/Top Rails within the edges of the Side Rail and gently move the rails into position within the door opening.



**Double Screens:** Slide the Bottom Rail fully onto the tab on the End Cap of the installed Cassette. Repeat this step for the Top Rail (the taller of the rails.)

On the opposite end of the rails, insert the tabs of the loose Cassette into the bottom and then the Top Rail.

Move the Cassette and rails into position within the door opening then clip the second Cassette into the Recess Mounting Clips.



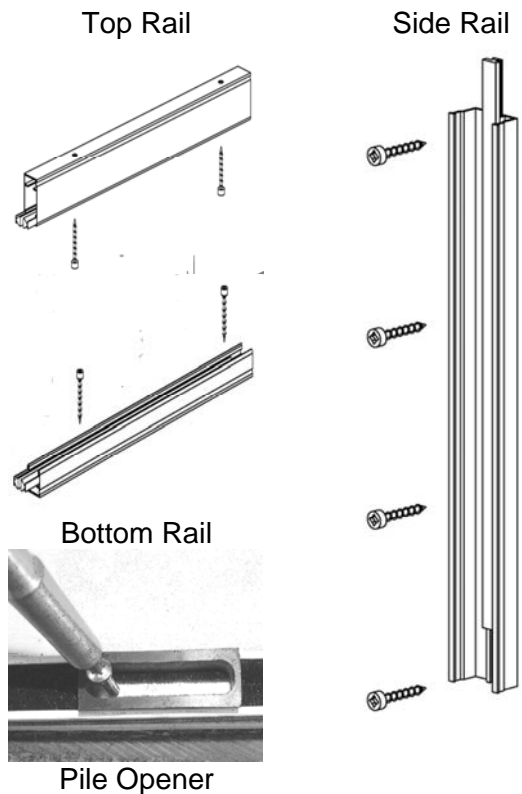
## 16 Secure The Rails With Screws

**Single Screens:** Hold the assembly in the entry. To secure the Side Rail, drill four 1/8" holes evenly spaced in the groove of the rail. Secure with screws.

Drill three 1/8" holes evenly spaced within both the bottom and Top Rails. Press the pile opener into the rail. This will separate the insect pile during drilling and the adding of screws.

Drill two 3/8" drainage holes in the Bottom Rail.

**Double Screens:** Drill five 1/8" holes evenly spaced within both the bottom and Top Rails. Press the pile opener into the rail. This will separate the insect pile during drilling and the adding of screws.



## 17 Slide Bolt Lock Installation

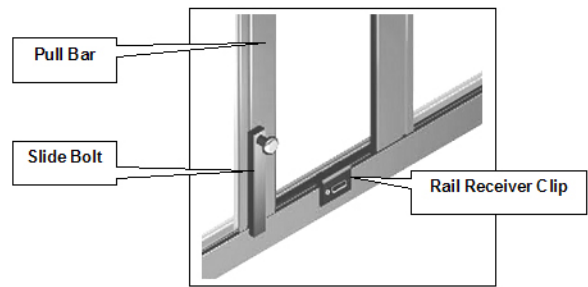
### **DOUBLE SCREENS ONLY**

Open the passive screen until the Magnet is approximately 1-1/2" beyond the center of the entry opening.

Position the Slide Bolt retainer on the Bottom Rail and align it with the Slide Bolt.

Drill 3/32" pilot holes into the Bottom Rail and secure with screws.

Repeat this for the Top Rail.



Lock Bolt and Lock Bolt Retainer

End of Inside/Recess Mount Instructions

### RETRACTABLE SCREEN WITH **36MM** SCREEN CASSETTE INSTALLATION INSTRUCTIONS (MAGNETIC LATCH DESIGN)

#### TOOLS:

Measuring Tape  
Phillips Screwdriver  
Soft Mallet  
Drill with Assorted Bits  
Utility Knife  
Needle Nose Pliers  
Pencil  
Power Miter/Chop Saw  
(Hacksaw Will Also Suffice)

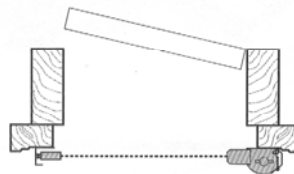
#### CAUTION!

This is not a safety screen and this product will not stop a child from falling. Use eye protection when cutting and installing your screen.

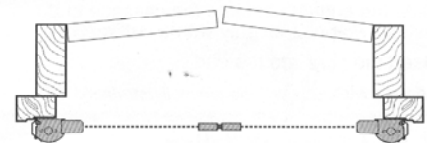
### 1 Installation Methods

**Single Screen Installation:** Install the Screen Cassette on either the right or left side.

**Double Screen Installation:** Install both a right and a left Screen Cassette with one configured as the active screen and the other as the passive screen.



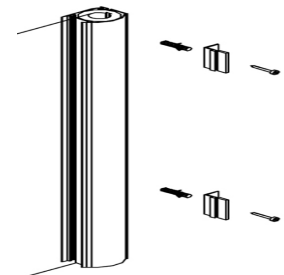
SINGLE SCREEN



DOUBLE SCREEN

### 2 Outside Mounting

**Outside/Surface Mounting the Screen:** Outside/Surface mount the screen using Surface Mount Clips.



### 3 Measuring For Your Screen

Begin by identifying the area where the screen will be mounted. Measure the opening width and height in several places – see illustration. Record the **SMALLEST** width and height measurement.

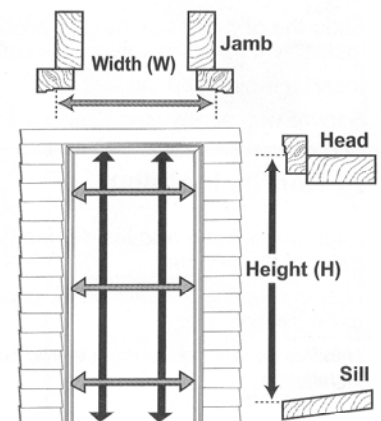
Subtract the appropriate dimension as indicated in the adjusted measurement column below. Use the adjusted measurement dimensions to cut the parts.

#### SINGLE DOORS:

COMPONENT	OPENING SIZE - DEDUCTION	= CUT SIZE
Cassette	Height then Subtract 11/16"	_____
Side Profile	Height (No Deduction)	_____
Top Guide Rail	Width then Subtract 1-3/4"	_____
Bottom Guide Rail	Width then Subtract 1-3/4"	_____

#### DOUBLE DOORS:

COMPONENT	OPENING SIZE - DEDUCTION	= CUT SIZE
Cassette	Height then Subtract 11/16"	_____
Top Guide Rail	Width then Subtract 3-3/8"	_____
Bottom Guide Rail	Width then Subtract 3-3/8"	_____



Note: Single screens and double screens require different cutting deductions.

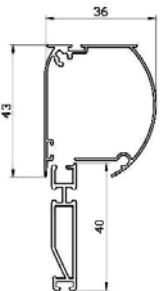
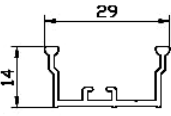
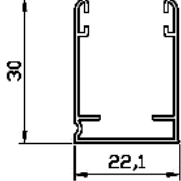
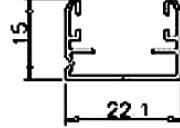


## SINGLE SCREEN

ITEM	DESCRIPTION	
1	Screen Cassette	
2	End Cap	
3	Bushing	
4	End Cap Plug	
5	Bottom Rail (15mm)	
6	Spring Assembly	
7	End Cap for Pull Bar	
8	Top Rail (30mm)	
9	Handles	
10	Recess Mount Clip	
11	Pull Bar	
12	Magnetic Strip (+ or -)	
13	Side Rail with Magnets	
14	Surface Mount Clip	

## DOUBLE SCREEN

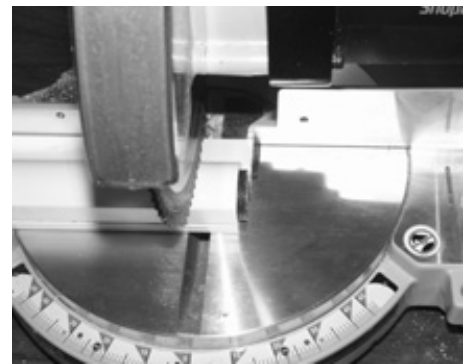
ITEM	DESCRIPTION	
1	Screen Cassette	
2	End Cap	
3	Bushing	
4	End Cap Plug	
5	Bottom Rail (15mm)	
6	Spring Assembly	
7	End Cap for Pull Bar	
8	Top Rail (30mm)	
9	Handles	
10	Recess Mount Clip	
11	Pull Bar	
12	Magnetic Strip (+ or -)	
13	Lock Bolt Retainer	
14	Surface Mount Clip	
15	Slide Lock Bolt	

MAJOR PARTS:				
				Bag Containing Spring, Handles, End Caps and Other Parts
<b>Cassette</b>	<b>Side Rail with Magnet</b>	<b>Top Rail</b>	<b>Bottom Rail</b>	<b>Accessory Kit</b>

#### 4 Cut The Cassette

It is recommended that you keep the wrap on the Cassette until the completion of cutting. Begin by examining the Cassette to assure that the outer housing, Pull Bar, screen and tube are evenly cut and flush. If necessary make a clean cut on one end of the Cassette so that the Cassette is even before proceeding. Now measure from the clean cut end for your cut height dimension; the net height opening less the **11/16" deduction** (determined in step 3.)

Firmly hold the Cassette and Pull Bar together and cut the Cassette (including the screen) to your adjusted measurement. Cut the Cassette as shown in order that the saw blade rotates in a direction that will tighten the screen mesh in the Cassette rather than potentially unwinding the screen fabric. After making the cut, grasp the unit and hold upright to tap away the metal shavings.

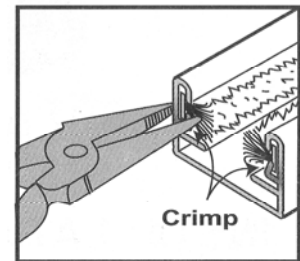


#### 5 Cut The Top and Bottom Rails

Cut the rails to your adjusted measurements (determined in step 3.) Note the different deductions for single and double screens.

<b>Single Screen</b>
Cut Length = (W) <b>Less 1-3/4"</b>
<b>Double Screen</b>
Cut Length = (W) <b>Less 3-3/8"</b>

Crimp the pile in the channels at both ends of the rail to lock the pile in position. Any small crimp marks will be concealed by the other parts once the screen is fully assembled.



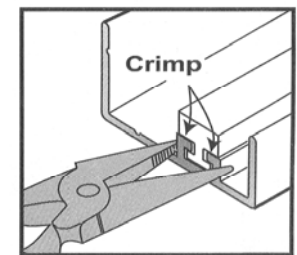
#### 6 Cut The Side Rail

The Side Rail with Magnet is used on single screens. On double screen applications a second Cassette is used instead of the Side Rail with Magnet.

The Side Rail comes with two Magnetic Strips. The first Magnet is secured to the Side Rail. Remove the outer Magnet strip and save this for step 13.

Cut the Side Rail to your height measurement (determined in step 3.)

Crimp the channel at both ends to lock the Magnet in place.



## 7 Installing The Spring

Open the accessory kit and insert the Spring assembly into the Cassette.



Slide the Bushing into the tube of the screen roll **making sure that the tooth of the Bushing lines up with one of the slots in the Screen Tube.**



Support the other end of the Cassette and rotate the End Cap clockwise the appropriate number of turns for the height of your screen (see tension chart).

CAUTION: - Do NOT let go of the End Cap unit until it is secured into the Cassette.

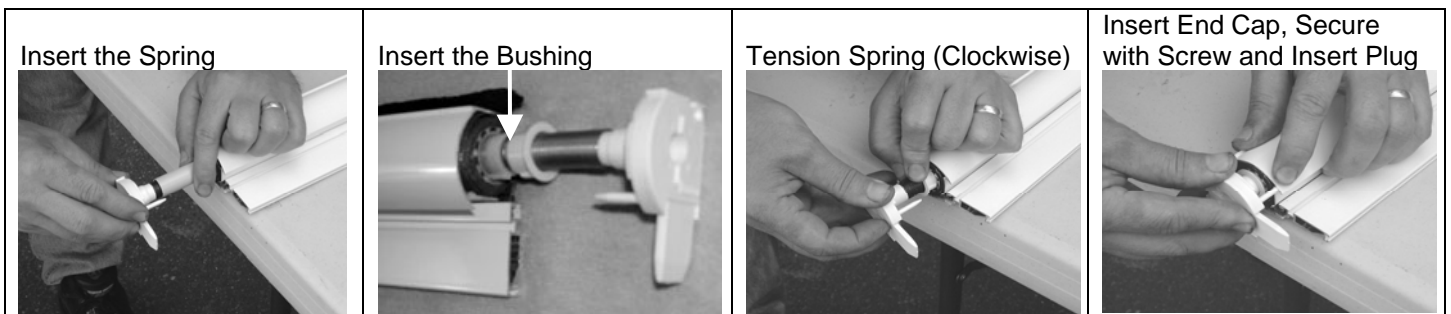
Slide the End Cap pin into the Cassette and install by tapping evenly with a soft mallet.

Secure the End Cap with screw. Insert End Cap Plug.

TENSION CHART

Screen Height	With Brake	NO Brake
80"- 86"	14-16 Turns	12-14 Turns
86"- 96"	16-20 Turns	14-16 Turns

- Note: **Be certain that the screen is wrapped tightly inside the Cassette before adding tension to the Spring.** You may make slight adjustments to the Spring tension according to your preference for the retraction speed and pull tension.



## 8 End Cap Installation

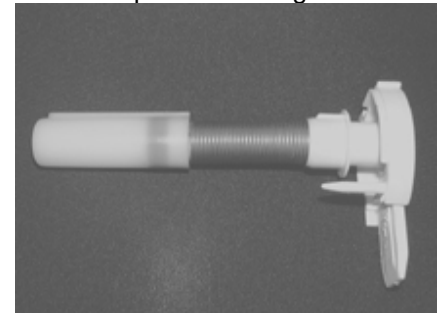
On the open end of the Cassette, insert the brake and then the Bushing into the tube of the screen roll. **Make sure that the tooth of the Bushing lines up with one of the slots in the Screen Tube.** If you are not using the optional brake, insert the Bushing as instructed above and proceed to attaching the End Cap.

Slide the End Cap pin into the Cassette and install by tapping evenly with a soft mallet.

Secure the End Cap with screw. Insert End Cap Plug.

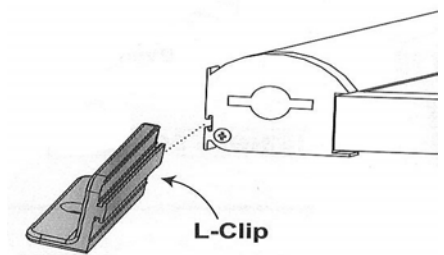
- Note: It is critical that the Bushing (adjacent to the End Cap) is fully inside the screen roll tube before attaching End Cap.

End Cap with Bushing and Brake



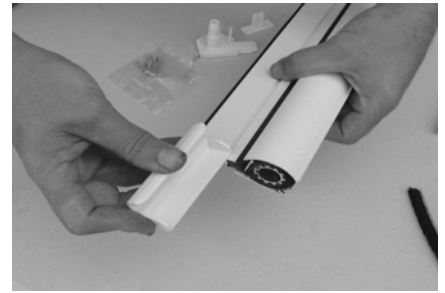
## 9 Surface Mount "L-Clip" Installation

Slide the two L-Clips into the groove on the rear of the Cassette. The L-Clips will be used in step 14 to secure the Cassette to the entry.



## 10 Handle Installation

Slide the inside and outside Handles into the track of the Pull Bar. The Handles can be adjusted to the desired height at anytime during or after the installation.

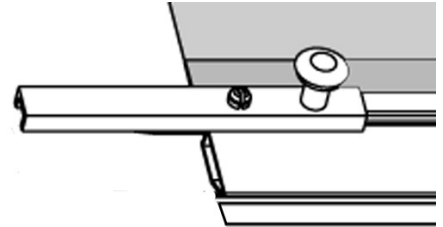


## 11 Slide Bolt Installation

**DOUBLE SCREENS ONLY**

Determine which side will be the passive screen. The passive screen is the side used less often. The Slide Bolts allow the screen to be locked open in place until needed.

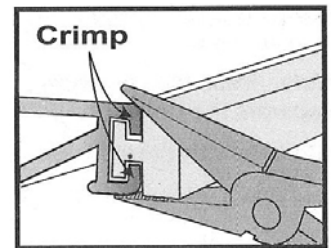
On the passive screen, slide the Slide Bolts into the track of the Pull Bar; one on both ends. Depending on preference, the Slide Bolts can rest on either the inside or outside of the screen.



## 12 Magnet Installation

Slide the Magnetic Strip (from step 7) into the groove on the front of the Pull Bar. For double doors the Magnets are packaged separately.

Trim the Magnet to the same length as the Pull Bar and crimp into place.



## 13 Pull Bar End Cap Installation

Insert the Pull Bar End Caps into the ends of the Pull Bar. Tap in place using a soft mallet.



## 14 Cassette Installation

**NOTE: It is critical that the Cassette and rails be installed square and plumb in the opening.**

**Single Screens:** You may install the Cassette on either the right or left side depending upon preference.

**Double Screens:** You will install two Cassettes, one on either side of the entry.

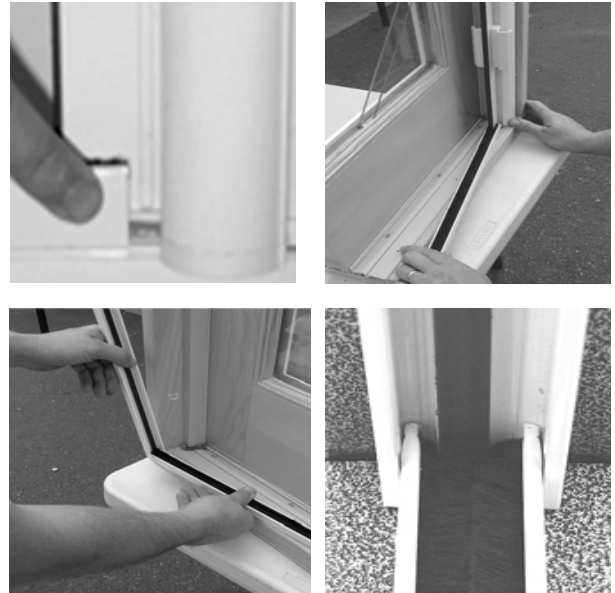
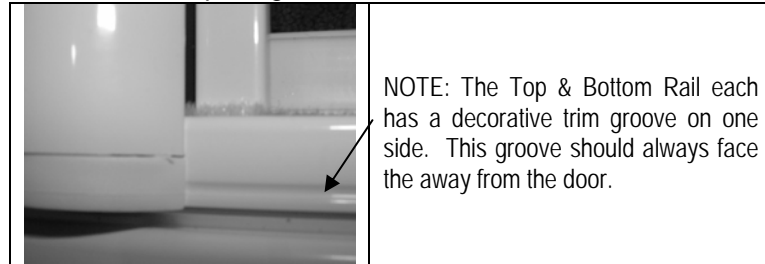
Position the surface mounting clips 18" from the top and bottom of the Cassette. Hold Cassette where it will rest on the entry and drill a 1/8" hole in the center of the slots in each of the surface mounting clips and secure with screws.

**Note: For double screens, mount only one Cassette at this time; move to step 15.**

## 15 Rail Installation

**Single Screens:** Slide the Bottom Rail fully onto the tab on the Cassette End Cap. Repeat this step for the Top Rail (the taller of the rails.)

Position the opposite edges of the bottom/Top Rails within the edges of the Side Rail and gently move the rails into position within the door opening.



**Double Screens:** Slide the Bottom Rail fully onto the tab on the End Cap of the installed Cassette. Repeat this step for the Top Rail (the taller of the rails.)

On the opposite end of the rails, insert the tabs of the loose Cassette into the bottom and then the Top Rail.

Move the Cassette and rails into position within the door opening and then clip the second Cassette into the Recess Mounting Clips.



## 16 Secure the Rails with Screws

### Single Screens:

**Side Rail:** Drill four 1/8" holes evenly spaced and secure the Side Rail with screws.

**Top Rail:** Drill two 3/8" holes evenly spaced through the face (one side only) of the rail. Using these holes as a guide, drill two 1/8" holes through the rear side of the rails. Using the larger 3/8" holes for access, insert screws into the 1/8" holes and secure the rails to the entry with screws.

Complete the installation by inserting the rubber Plugs into the 3/8" access holes.

**Bottom Rail:** Drill two 3/8" drainage holes in the Bottom Rail.

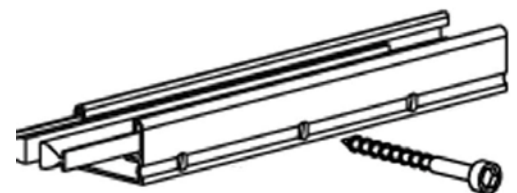
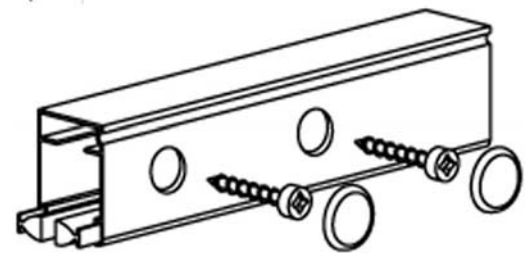
Using the decorative trim groove as a guide (staying underneath the glide platforms inside the rail), drill three 1/8" holes evenly spaced through both sides of the rail. Secure the rail to the entry with screws; do not over tighten.

### Double Screens:

**Top Rail:** Drill two 3/8" holes evenly spaced through the face (one side only) of the rail. Using these holes as a guide. Drill two 1/8" holes through the rear side of the rails. Using the larger 3/8" holes for access, insert screws into the 1/8" holes and secure the rails to the entry with screws.

Complete the installation by inserting the rubber Plugs into the 3/8" access holes.

Top Rail



Bottom Rail

Bottom Rail: Drill two 3/8" drainage holes in the Bottom Rail. Using the decorative trim groove as a guide (staying underneath the glide platforms inside the rail), drill three 1/8" holes evenly spaced through both sides of the rail. Secure the rail to the entry with screws. Do not over tighten.

## 17 Slide Bolt Lock Installation

### **DOUBLE SCREENS ONLY**

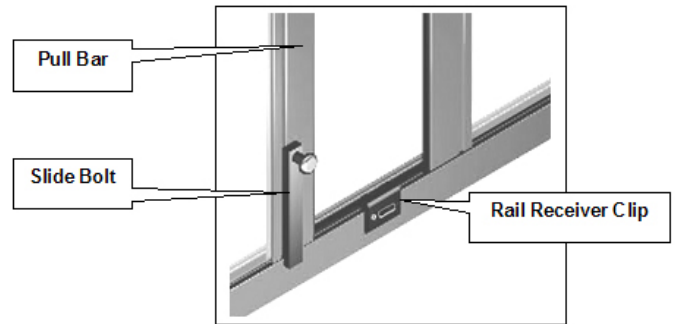
*Can be used for Single door also.*

Open the passive screen until the Magnet is approximately 1-1/2" beyond the center of the entry opening.

Position the Slide Bolt retainer on the Bottom Rail and align it with the Slide Bolt.

Drill 3/32" pilot holes into the Bottom Rail and secure with screws.

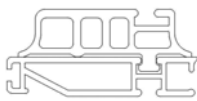



Repeat this for the Top Rail.



Lock Bolt and Lock Bolt Retainer

## End of Outside/Surface Mount Instructions

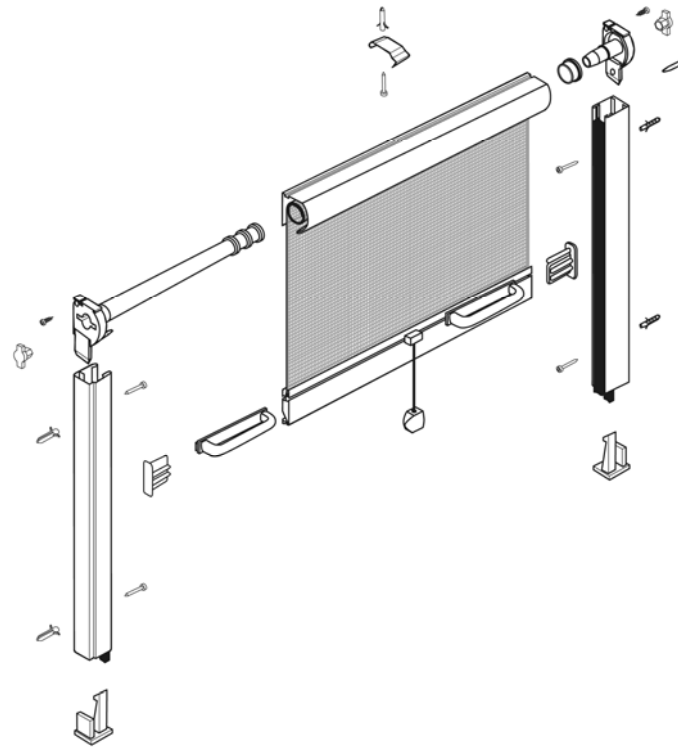
### Available Options

IMAGE	Description	Part Number	Finishes
	Decorative Pull Bar Stiffener	01-06210-Color	White, Almond, Desert Tan, Brownstone, Adobe Gray, Mill
	Narrow Threshold Transition	01-12370-Color	Clear or Bronze Anodized
	Medium Threshold Transition	01-12380-Color	Clear or Bronze Anodized
	Platform Threshold Transition	01-12360-Color	Clear or Bronze Anodized

# TROUBLESHOOTING GUIDE

<p><b>IT IS DIFFICULT TO PULL THE RETRACTABLE SCREEN ACROSS THE OPENING OR THE RETRACTABLE SCREEN SEEMS TO BOUNCE AS IT OPENS &amp; CLOSSES.</b></p>	<p>Check the top and bottom guides for screws that may not have been driven flush into the guides causing the screen to drag.</p> <p>Clean any debris from inside the bottom guide.</p> <p>Adjust the number of turns on the Spring mechanism. The more Spring tension the more resistance.</p> <p>Make sure that the Cassette housing has a 90<sup>o</sup> cut. If not, trim so it is a straight cut.</p> <p>Check to insure that <b>both End Cap Bushings (item "D"), are fully inserted inside Screen Tube</b>. A bouncing effect is a sign that one or more Bushings may not be correctly installed.</p> <p>Check to see if the Pull Bar is rubbing and needs to be trimmed down.</p> <p>Check to see that the Plastic Pull Bar End Cap is gliding on the glide rails within the bottom rail track and NOT underneath the glide rails within the screw chamber.</p>
<p><b>THE RETRACTABLE SCREEN BINDS OR WILL NOT RETRACT INTO THE CASSETTE HOUSING PROPERLY.</b></p>	<p>See above steps.</p> <p>Check to see if the insect pile is moving or binding in the top or Bottom Rails. Crimp ends to prevent movement.</p> <p>Make sure that the screen fabric has a clean cut and is not jagged; if so, trim so it is a straight cut.</p> <p>Check to see if either the housing or inner tube have been twisted, bent or otherwise damaged during shipping.</p>
<p><b>INSECT PILE MOVES IN THE TOP OR BOTTOM RAILS.</b></p>	<p>Ends of the insect pile and aluminum track need to be crimped together to prevent movement.</p>
<p><b>SCREEN HANDLES HIT OR RUB ON DOOR HARDWARE.</b></p>	<p>Raise or lower the handle so that it no longer strikes the door hardware.</p>
<p><b>SCREEN FALLS OUT OF TOP GUIDE.</b></p>	<p>Height measurements may be off. If the unit was cut too short, shim up along bottom. Pull Bar may be cut too short. Check measurements and consult the cutting instructions.</p> <p>Check to see if the floor is level and that the opening is square; apply shims as needed.</p>
<p><b>THE DOOR BOTTOM THRESHHOLD HAS A STEEP SLOPE CAUSING THE RETRACTABLE SCREEN BOTTOM GUIDE TO BE ON AN ANGLE WHEN MOUNTED.</b></p>	<p>The Bottom guide should always be as level as possible. Use wedge shims to adjust and for support until the Bottom Rail is level.</p>
<p><b>SCREEN IS TORN OR DAMAGED.</b></p>	<p>Replace the mesh using a screen refill kit.</p>
<p><b>THE MAGNETICS OF THE SCREEN DO NOT FULLY SEAL OR, THE SCREEN DOES NOT CLOSE EVENLY.</b></p>	<p>Clean the magnets using a mild soap and water.</p> <p>Clean any debris from inside the bottom guide. When not properly maintained, debris can accumulate and interfere with the operation of the screen as well as the screens closing and seal capabilities.</p>

Quality Retractable Screen Designs Also Available For Windows



And Garage Doors

